

Figure 1

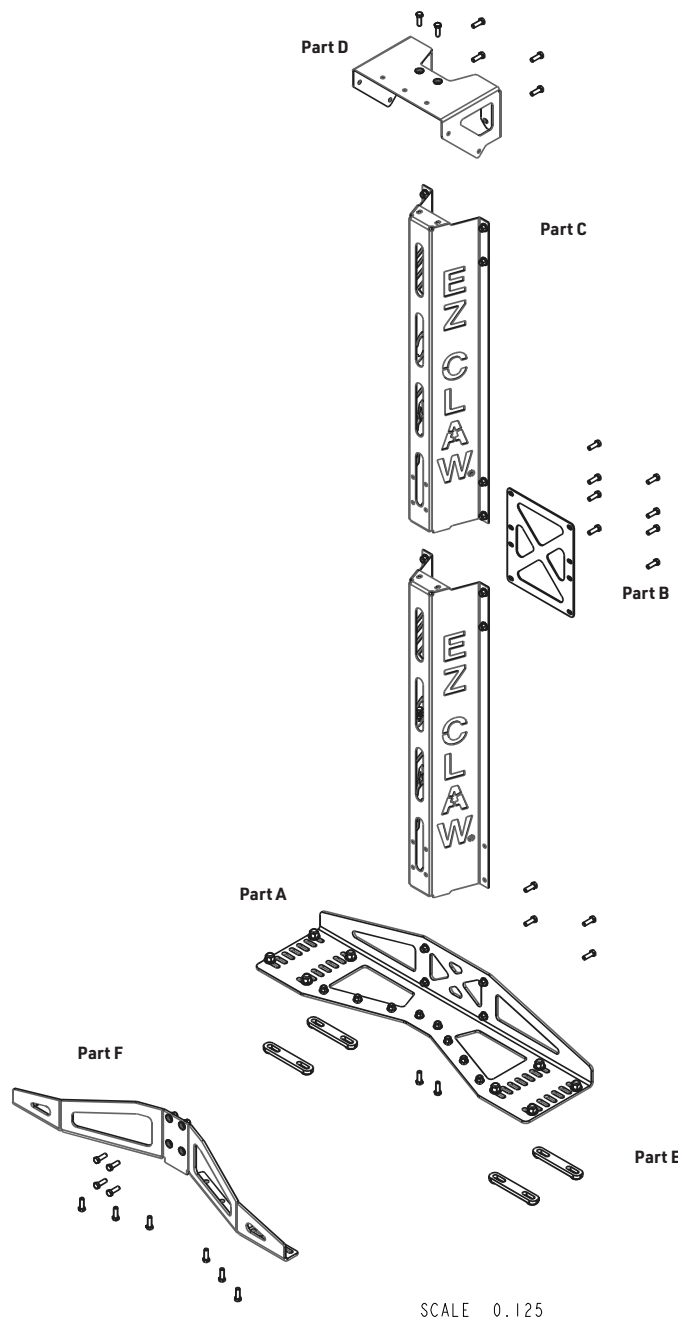


Figure 2

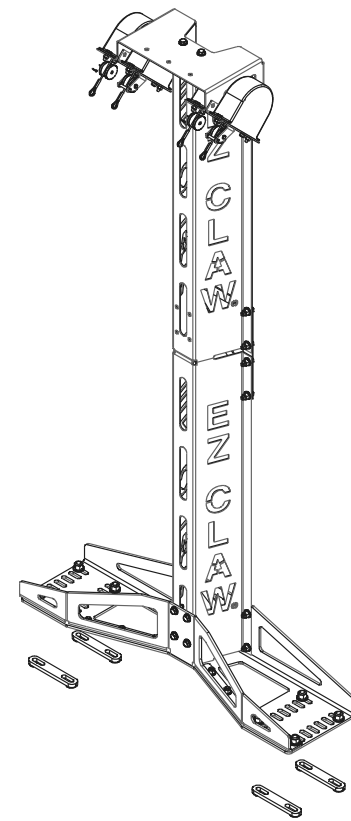
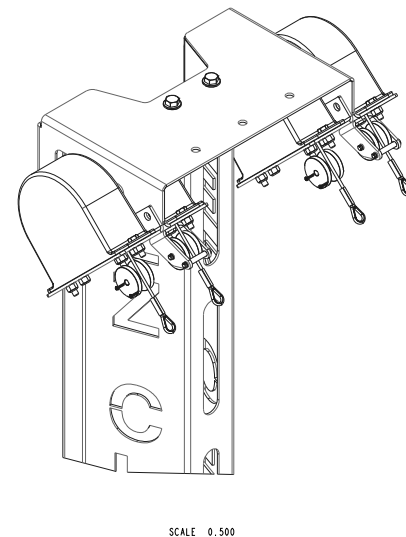


Figure 3



EZ Claw Center Post Mount

Installation Instructions

Item # EZCCPM | The **EZ Claw Center Post Mount** is a six-foot, stand-alone, bolt-on bracket that accepts tensioners and accessories when the back of the semi cab is inaccessible or the tractor's wheelbase is too long.

Kit Includes:

- (1) Base Plate Member (Part A)
- (1) Upright Support (Part B)
- (2) Center Post (Part C)
- (1) Universal Head Mount (Part D)
- (4) Frame Anchor (Part E)
- (1) Base Support Member (Part F)
- (8) 1/2-13 x 13.5" Long G8 Flange Bolt
- (8) 1/2-13 G8 Flange Lock Nut-YZN
- (36) 3/8-16x1" Long G8 Flange Bolt
- (36) 3/8-16 Flange Locknut

Recommended Tools for Installation:

- (1) Battery-Powered Impact Driver
- (1) 3/4" Socket
- (1) 3/4" Open End Wrench
- (1) 9/16" Socket
- (1) 9/16" Open End Wrench



EZ Claw Center Post Mount Parts List



Part A
Base Plate Member
EZ-0241
Qty: 1



Part B
Upright Support
EZ-0242
Qty: 1



Part C
Center Post
EZ-0243
Qty: 2



Part D
Universal Head Mount
EZ-0244
Qty: 1



Part E
Frame Anchor
EZ-0245
Qty: 4



Part F
Base Support Member
EZ-0248
Qty: 1



Mounting Hardware
1/2-13 x 13.5" LONG G8 FLANGE BOLT-YZN
Qty: 8
1/2-13 G8 FLANGE LOCK NUT-YZN
Qty: 8



Assembly Hardware
3/8-16x1" LONG G8 FL BOLT
Qty: 36
3/8-16 FL LOCKNUT
Qty: 36

Installation Instructions

1. Attach Part A to Part C.

Locate Base Plate Member (Part A) and Center Post (Part C). Set Part C on Part A and install nuts and bolts loosely through the four holes in the back and two holes in the bottom. Ensure head of the bolts are oriented as shown in Fig. 1 for proper frame rail clearance. After all nuts and bolts are installed, tighten all bolts.

2. Install Nuts and Bolts on Part F.

Locate Base Support Member (Part F). Install on assembly from Step 1. Loosely install four bolts and nuts through the front of Part F and six bolts from the bottom as shown. After all bolts are installed, proceed with tightening, making sure slotted holes for the frame are aligned.

3. Connect Part B to Part C.

Locate Upright Support (Part B) and connect to back side of Center Post (Part C) with four nuts and bolts. Do not tighten bolts at this time. Set assembly aside.

4. Attach Part D and Part C.

Locate the second Center Post Upright (Part C) and the Universal Head Mount (Part D). Set Part D on top of Part C and install nuts and bolts through the four holes in the back and two holes on top. After all bolts are installed, proceed with tightening.

5. Combine Head Assembly and Base Assembly.

Set Head Assembly (Step 4) on top of Base Assembly (Step 1-3). Loosely install four nuts and bolts through Part B and two nuts and bolts in the center to join in the uprights. After all nuts and bolts are installed, tighten all bolts.

6. Upright Center Post Mount in Desired Position.

Stand assembled Center Post Mount in desired location on the frame rails of the truck. Watch for any obstructions that may be in the way.

7. Install Mounting Bolts.

Locate 1/2" Mounting Bolts from the included Mounting Hardware Kit. Install 13" bolts down through the base of the Center Post Mount, avoiding any frame hardware that may exist on the truck.

8. Install Part E.

Locate Frame Anchor (Part E) and 1/2" flange nuts. Install Part E on two of the bolt assemblies, making sure it crosses under the frame. Install 1/2" lock nuts. Repeat for the other three frame anchors.

9. Special Case.

If 1/2" Mounting Bolts are not used in the front hole of the Base Support Member (Part F), extra 3/8" bolts and nuts are included to secure these components.

10. Install the EZ Claw Line Saver.

Locate the EZ Claw Line Saver(s) (sold separately) and install on the universal head mount (see Fig. 3), utilizing mounting hardware supplied with the Line Saver. Ensure the Line Saver(s) is mounted so the cable extends from the top, guiding over the stainless steel guide roller as shown.

11. Attach Hose Assembly.

Using an EZ Claw Sling (EZCS) or Hose & Cable Block (EZCHCH38), attach the EZ Claw Line Saver cable to the hose assembly.